

Autumn Skies & Pumpkin Pies

Autumn begins with a chilly fall breeze and the rustling of golden leaves!
A time of plenty, ripening of the harvest, abundance of food, family and friends!
Experience the autumn skies and pumpkin pies!
Welcome home!



Minimum Hoop Size 8" x 12"
Formats: art dst exp jef pes vip vp3
Finished size 56" square

Copyright © 2023 Claudia Dinnell

All rights reserved. No part of this may be reproduced in any form or by any means without written permission from the copyright holder.

These designs & instructions are for personal non-commercial use by the original purchaser only and are protected under

US & International Laws. www.claudiascreationsaz.com

Autumn Skies & Pumpkin Pies Supply List

Fabric Supply List:

4½ yards	White or Cream Background Fabric (42" wide or wider)
1 ¾ yards	Outer Border (will have enough fabric for matching Sashing and binding)
5/8 yard	For a Contrasting Sashing (still need the yardage above for non pieced Outer Border)
¼ yard	Coordinating Fat Quarters for Pieced Corner Blocks
13 yards	Fusible Woven Interfacing: Shape Flex 101 by Pellon (20" wide)
½ yard	Contrasting Binding
3½ yards	Backing
60" x 60"	Batting

Embroidery Supply List:

Hoop Requirements: stitch field must be 8" wide x 12" high or **larger** / bring your largest hoop & grid
 Heavy Weight Tear Away: Recommended: Pellon #806 Stitch & Tear (70 poly & 30 rayon) or OESD Heavy Weight Tear Away
 May use **Sticky Back** stabilizer if you prefer not to use Adhesive Spray (still need the heavy weight stabilizer)
 Temporary Adhesive Spray: Recommended 505 Spray Adhesive
 Removable fabric marking pen (No air erasable pens) Recommended **SewLine Duo Marker, medium tip**
 Embroidery Needles 80/12 and 90/14 Sharps (both work but some machines prefer one over the other)
 Terial Magic Starch (mandatory)
Top Cover (optional) permanent vinyl topping by OESD white or multi colored pack (booboo cover!)
Basic embroidery kit including small double curved scissors, tweezers, **Jumbo Wonder Clips**,
 Arrow shaped post it notes by Post-It-Notes (they say: **SIGN HERE**)

Bobbin Thread: (light neutral color & black)

Embroidery Thread: Isacord 40 wt. Embroidery Threads listed



Yellow/Gold

0704 Gold
 0824 Liberty Gold
 0904 Spanish Gold

Browns

0842 Toffee
 0932 Nutmeg
 0933 Redwood
 0941 Golden Grain

Greens

0345 Moss
 5833 Limabean

Greys

0111 Whale
 0131 Smoke
 0142 Sterling
 2674 Steel

Black & White

0020 Black
 0015 White

Oranges

1301 Paprika
 1310 Hunter Orange
 1321 Dark Orange

Tans

0851 Old Gold
 0870 Muslin
 1061 Taupe
 1133 Peru
 1172 Ivory

Blues

3732 Slate Blue
 3810 Laguna

Reds

1725 Terra Cotta
 1904 Cardinal

Purples

2920 Purple

Pinks

1761 Tea Rose
 2363 Carnation

Sewing Supply List

50wt. Cotton Thread matching the fabric for piecing.

Basic sewing kit including Double Curve Embroidery scissors (**Kai 5" Double Curve** recommended), pins, rotary cutter & mat, long straight ruler, etc.

20 ½" Square Ruler by Creative Grids for accurate marking & trimming (recommended)

Bring 4-5 Full Bobbins to Class

Copyright © 2023 Claudia Dinnell

All rights reserved. No part of this may be reproduced in any form or by any means without written permission from the copyright holder.

These designs & instructions are for personal non-commercial use by the original purchaser only and are protected under

US & International Laws. www.claudiascreationsaz.com

TIPS FOR SUCCESSFUL EMBROIDERY!

Keep these pages accessible, you will need to refer to these “Tips” throughout your embroidery!!
Follow Claudia’s two step “**Perfect Placement Technique**” for accurately multi-hooping large designs!

Step #1: Marking the design’s first stitch location on the grid:

- Attach the **hoop and grid** to the module with no fabric.
- **Open the design** to be embroidered.
- Advance to the **embroidery sewing screen**. Embroidery Machines open a design in an editing screen. Touch the icon that moves you to the embroidery sewing screen. Advancing to the embroidery sewing screen takes you to the first stitch of the design, where you are ready to embroider!
Brother, Babylock, Janome, and Singer machines have an automatic center stitch programmed into the machines & will have an additional icon (usually a +/- key) you will need to touch to move you to first stitch of my design. **Bernina** machines with a Basting Box option must make sure the built in basting box option is turned off before they advance to the embroidery sewing screen.
- By hand, lower your needle to touch the grid. Place an arrow shaped post-it-note on the grid so the tip of the arrow touches the tip of the needle. This marks the first stitch location of my design on the grid (not the center of the design, not the center of the hoop, but the first stitch of the opened design).
- Raise the needle; remove the hoop and the marked grid from the module.

Step #2: Hooping the Fabric

- Place the **inner hoop with the grid** on the (prepared and marked) background fabric. The arrow shaped post-it-note on the grid should be pointing to either the **Needle Alignment** or to the **Placement Line** location on the background fabric. The location is noted in the Embroidery Instructions and will be different for each hooping (it will almost never be the center of the hoop).
- Hoop the (stabilized and marked) fabric with the lines on the grid parallel and perpendicular to the drawn lines on the fabric. The drawn lines need not lie exactly under the lines of the grid, but must be parallel and perpendicular to the lines on the grid. This keeps the larger piece of fabric square and straight as you embroider.
- Remove the grid from the hoop and attach the hoop to the module.
- It may be necessary to Reposition the needle exactly over the **mark** indicated in the instructions. Use your Move Motif Icon to tweak the needle perfectly over the mark.
- **Needle Alignment** is to place the needle over a specific mark like the drawn crosshair on the fabric
- **Placement Line** is to sew (without thread) over previously sewn stitches to ensure correct placement.
- To watch a demo of the “Perfect Placement Technique” from your computer go to:
www.claudiascreationsaz.com Select the “Workshops” tab and choose Instructional Videos / Perfect Placement.

Additional Tips and Helps!

Tip #1: Built in Basting Box!

Many embroidery machines have a built-in basting box option. When this option is enabled it may add a color stop to the stitching order of the design. This option should be disabled before opening a design. If the basting box option is on or enabled when you advance to the embroidery sewing screen, you would be marking the grid with the first stitch position for the basting box and not the first stitch of the design! Be sure to disable the basting box option before opening a design. Mark the first stitch of the design with the post-it note arrow. Then add the Basting box!!! Remember to turn it off after embroidering it out!

Copyright © 2023 Claudia Dinnell

All rights reserved. No part of this may be reproduced in any form or by any means without written permission from the copyright holder.

These designs & instructions are for personal non-commercial use by the original purchaser only and are protected under

US & International Laws. www.claudiascreationsaz.com

Tip #2: Hooping Tips

Place sections of **permanent** double sided tape (**not repositionable**) on the wrong side of the inner hoop. Then flip the inner hoop right side up and place the inner hoop, with the grid inside of it, on the fabric. The doubled sided tape holds the inner hoop to the fabric. This makes it easier to pick up the inner hoop and fabric and place it in the outer hoop with ease. (Always loosen the outer hoop screws as much as possible). Remove the tear away stabilizer from the last hooping to reduce the stabilizer “bulk”. Roll the excess fabric in a tube shape and use clips to hold the excess fabric out of the way. This will prevent the fabric from accidentally catching under the hoop.

Tip #3: Unusual Embroidery Instructions:

Needle Alignment: This is placed first in the stitching order to align the needle exactly where it goes. It is strictly for needle placement and not to be sewn out (unless indicated). If it is accidentally sewn out it will look like a crosshair or a straight line. Pick it out!

Placement Line: This is a line that is to be sewn out without thread over an existing line to ensure correct placement. It is an alignment tool for connecting one hooping to another.

The blank line after the thread color: Thread Purple # _____ (Write your thread Color # on the line) It will help you remember what color you used when you return to embroidering.

Tip #4: Ironing/Pressing

Place the embroidered background fabric **wrong side up**, over a wool mat. Padding the stitches with a wool mat won't crush them. I usually spray with starch and then press the fabric.

Tip #5: Trimming the Blocks

For best accuracy, use a square ruler to trim all the blocks. Place the square ruler on the block lining up two sides, then trim. Trimming with a 6” x 24” ruler is not as accurate and leads to slips and miss-cuts. If you have difficulty keeping a ruler from moving when you cut, place double sided tape on the side that goes against the fabric! Also, using quilting gloves helps to hold it in place!

**Tip #6 Sewing without Thread aka “Walk the Line”**

Every machine has a button where you can **advance forward or move backwards** through a design. This is usually used when you “**break a needle**” or “**run out of bobbin thread**” and you need to backup to replace stitches. I use this feature to advance forward through a design to “**Walk the Placement Line**” or “**sew without thread.**” As you advance through Color #1 Placement Line, drop the needle often to check the position of the needle on the fabric to make sure you are following the **Placement Line**. Watch my video on my website.

See a Video for: [Sewing without Thread, AKA “Walk the Line”](#)

Fabric Preparation**Woven Interfacing:**

First steam iron and starch the fabric. Then place the woven interfacing (Fusible Woven by OESD or Shape Flex 101 by Pellon) adhesive side down, on the wrong side of the fabric. Spray with water to activate the adhesive. Use your hands to smooth out the moistened interfacing over the fabric before using the steam iron. Set the steam iron on the center area and hold the iron long enough to dry & seal the two layers together, but not so long that it burns! Pick up the iron and place it close to the first spot. Repeat until all the interfacing is sealed to the fabric. This will “pre-shrink” both fabric and interfacing. The Interfacing will shrink, that is expected. All the edges of the Interfacing should be sealed to the fabric as if they were one piece so they can't be separated. Watch Fabric Prep video on my website.

See a Video for: [Fabric Preparation](#)

Copyright © 2023 Claudia Dinnell

All rights reserved. No part of this may be reproduced in any form or by any means without written permission from the copyright holder.

These designs & instructions are for personal non-commercial use by the original purchaser only and are protected under

US & International Laws. www.claudiascreationsaz.com

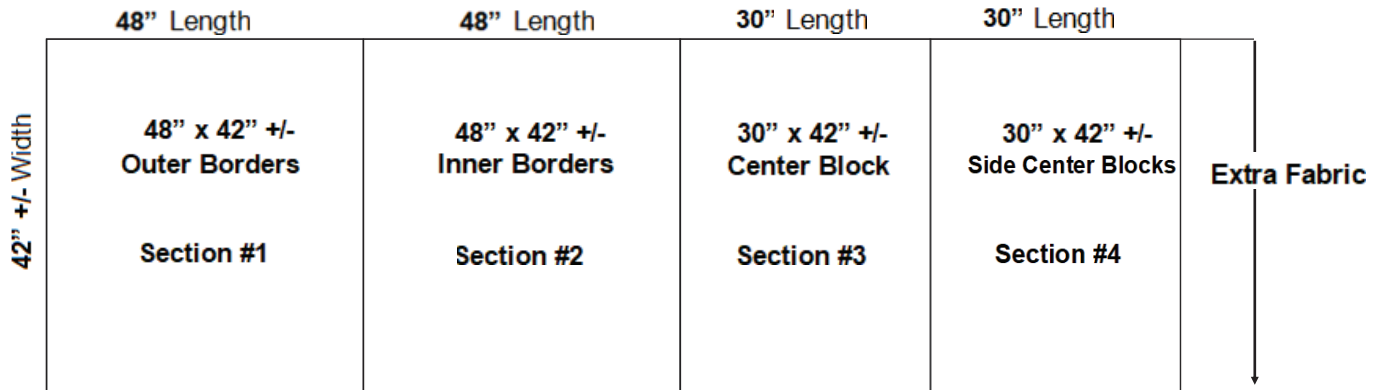
Cutting Instructions

Background Fabric: (4½ yards = 162")

Cut the Background Fabric into 4 sections (length x 42" +/- width) See diagram below.

(2) 48" x 42" +/- or width of fabric (**Section #1 Outer Borders & Section #2 Inner Borders**)

(2) 30 x 42" +/- or width of fabric (**Section #3 Center Block & Section #4 Side Center Blocks**)



Section #1:

(length x width)

Sub Cut Section #1 Outer Borders:

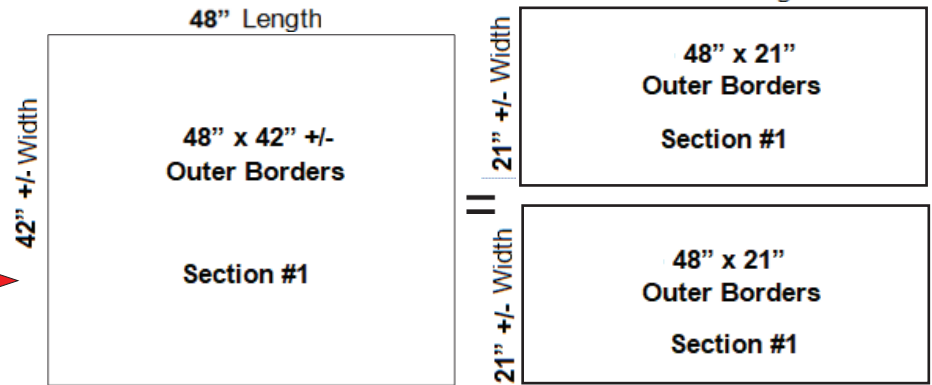
Cut the **length** in half

(2) 48" x 21"

Be mindful of the 42" +/- width vs the 48" length. See diagram.

Easy to mix up!

Check twice before cutting!



Section #2: (length x width)

Sub Cut Section #2 Inner Borders:

Cut (1) 48" length x 12" width strip.

Be mindful the 48" length vs the 42" +/- width. See diagram.

It might be easy to mix up!

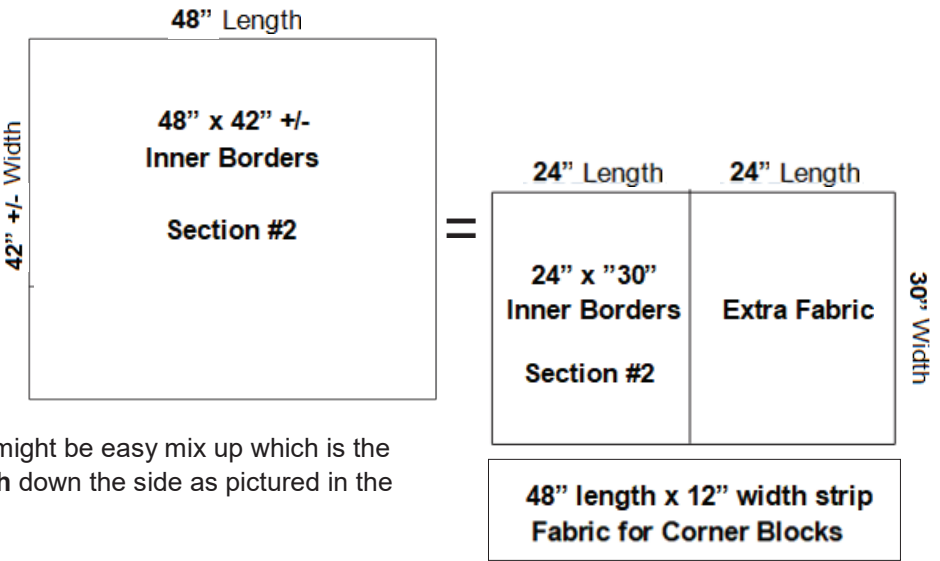
The 12" strip is for the **Corner Blocks**.

Set aside the 12" strip.

Sub Cut Remaining Fabric:

Cut (1) section 24" length x 30" width.

Be mindful of the direction of the fabric. It might be easy mix up which is the 24" length across the top vs the 30" width down the side as pictured in the diagram. **Set aside the extra fabric.**



Continue to next page....

Cutting Instructions Continued...

Section #3 & #4:

(length x width)

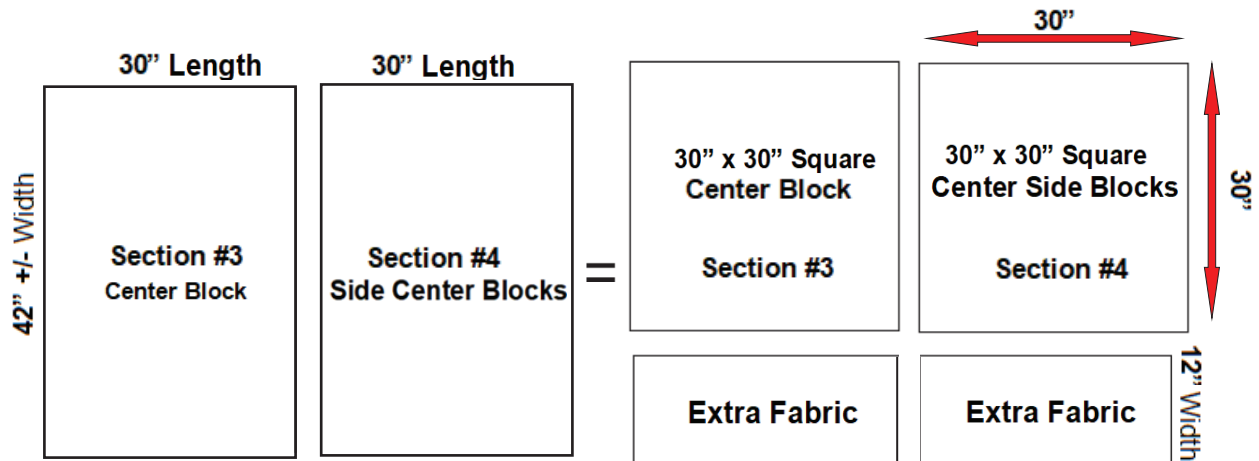
Sub Cut Section #3 Center & Section #4 Center Side Blocks:

Cut (1) 30" Square from each section

See Example #4.

Set aside the extra fabric.

DO NOT CUT the 30"x30" Blocks in half, leave both as a 30" square.



Example #4.



Fabric Preparation (Interfacing & Starching)

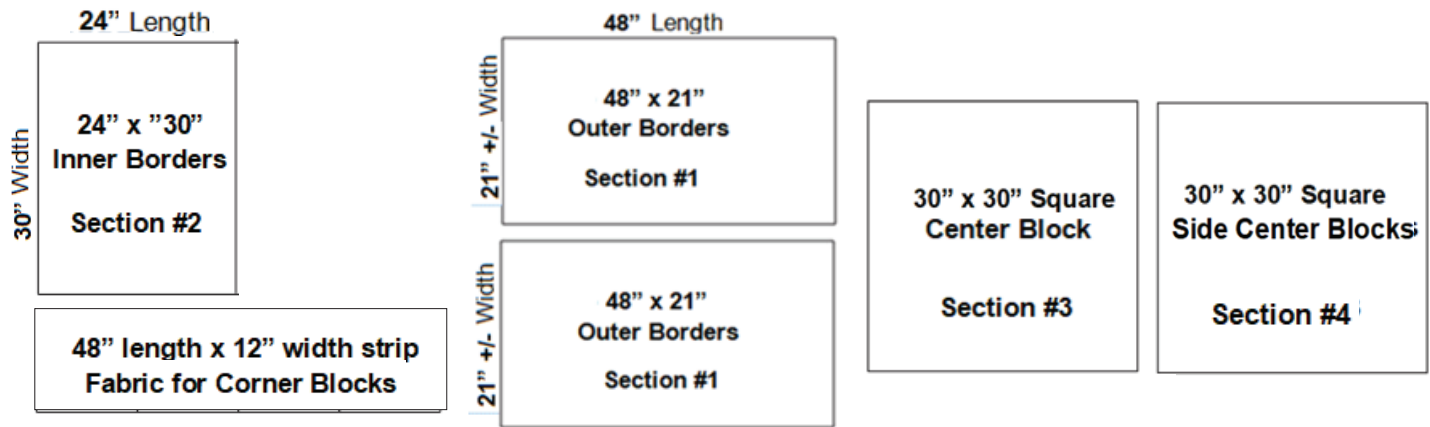
This process is mandatory for excellent results!

Starch the fabric with Terial Magic.

(Note: no need to starch the **extra fabric** for the pieced blocks, but it won't hurt anything if you do!)

Saturate the **Background Fabric pieces** (6 cut pieces) in **Terial Magic**. This product is a heavy starch. The fabric must be very stiff to avoid stretching during embroidery. Let the fabric **almost dry** then iron the fabric flat and smooth.

(claudiascreationsaz.com / Videos / Preparing the fabric with Terial Magic)



Interfacing:

Shape Flex 101 by Pellon (woven) or Fusible Woven by OESD

(Note: do not interface the **extra fabric** for the pieced blocks)

Center and Iron the interfacing (after Terial Magic) adhesive side down, to the back of each cut **Background Piece**. Piece the interfacing to get the size needed. **Overlap the pieced sections by 1/2"**. The interfacing may be slightly smaller than the fabric blocks & it will shrink more when you iron it. **Lightly spray with water** to activate the adhesive. Smooth the interfacing with your hands (this will help to displace the air between the interfacing & fabric).

Start pressing in the center and work out slowly. Press the interfacing to the fabric.

All edges should be sealed together. If you see air bubbles, immediately separate the interfacing from the fabric (while its warm) smooth out the interfacing and fabric and press again. Spritz with water if needed and press again.

[Watch my Fabric Prep video for a demo.](#)

(claudiascreationsaz.com / Videos / Fabric Prep)

Marking Instructions

Mark the Fabric: (preferred: **SewLine Duo Marker**, medium tip for marking)

Mark a Center Crosshair on the **front side** of all **6 Background** Fabric pieces.

Rotate the pieces to look like the picture below. Write the name of the block on each piece.

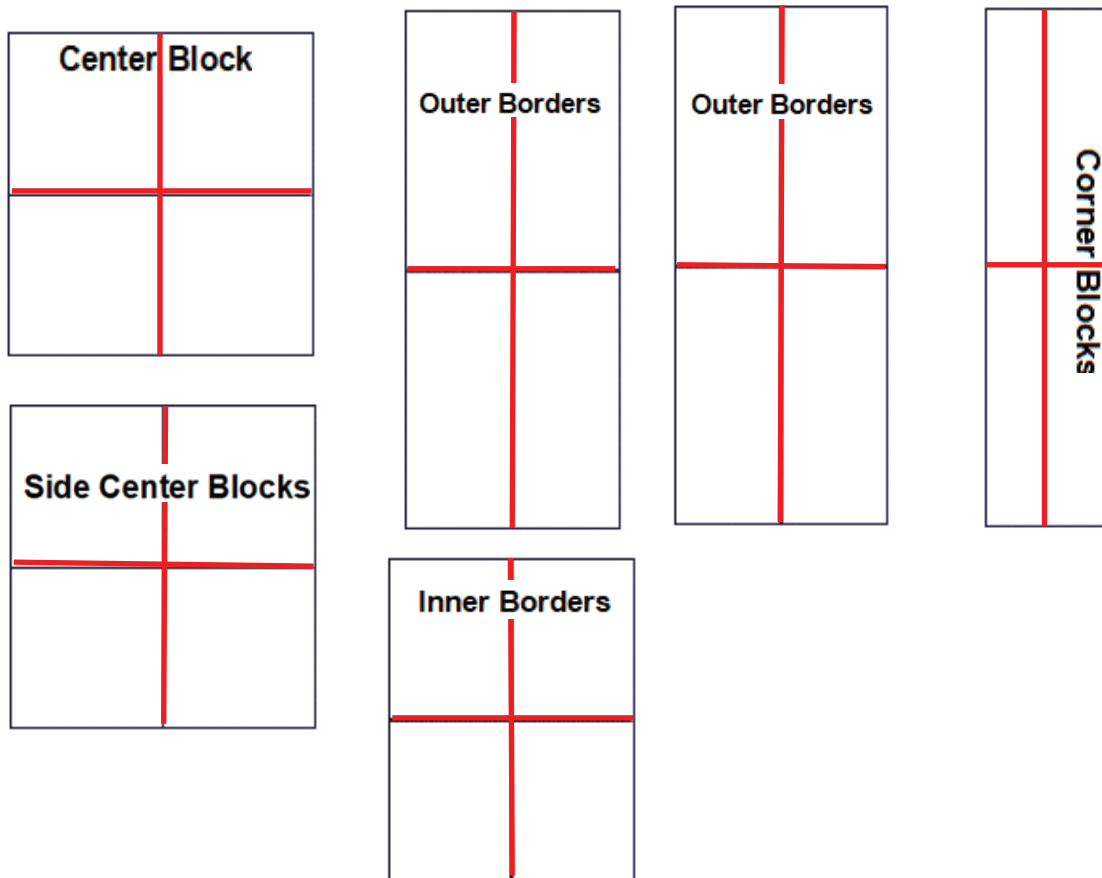
To do this:

Draw a **horizontal & vertical line**, the full **LENGTH & WIDTH** of the fabric, **perpendicular to each other**, **centered on the fabric** aka=center crosshair / shown in red on diagrams below)

Use a 20 ½" square ruler to mark the **lines to ensure a 90° center**.

See instructional video for example.

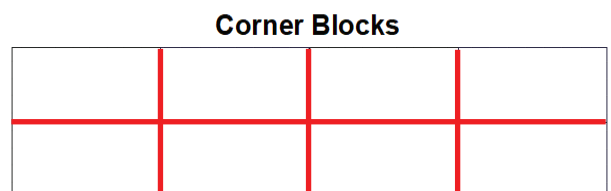
claudiascreationsaz.com / [videos](#) / [Cutting & Marking Fabric with two rulers](#)



Additional Marking Lines:

12" x 48" Corner Blocks Fabric:

Mark (2) **Vertical lines 12"** on both sides of the **Center Vertical Line**.



This will give you (4) equal sections for the animal corner blocks.

Do not cut apart!

Copyright © 2023 Claudia Dinnell

All rights reserved. No part of this may be reproduced in any form or by any means without written permission from the copyright holder.

These designs & instructions are for personal non-commercial use by the original purchaser only and are protected under

US & International Laws. www.claudiascreationsaz.com

Marking Instructions continued....

Additional Marking Lines:

30" Center Background Fabric:

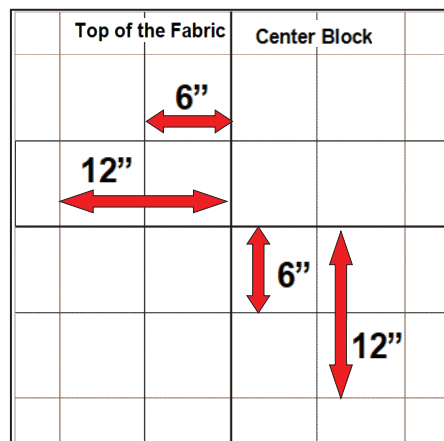
Mark **Vertical lines 6" & 12"** on both sides of the **Center Vertical Line**.

Mark **Horizontal lines 6" & 12"** above & below the **Center Horizontal Line**.

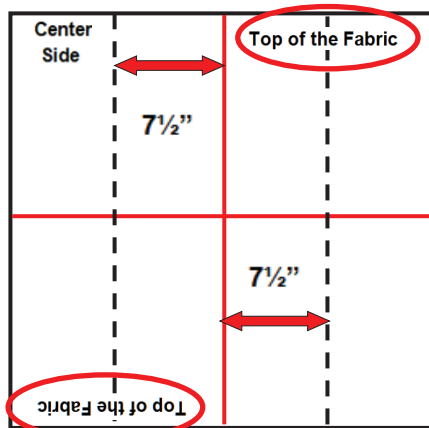
The lines form a grid.

Lines must be **parallel & perpendicular** to each other (**90° angle**).

Write the words "**Top of the Fabric**" at the top of the fabric.



Example #1.



Example #2.

30" Center Side Blocks

Mark **Vertical lines 7 1/2"** on both sides of the **Center Vertical Line**.

Lines must be **parallel** to each other.

Write the words "**Top of the Fabric**" at the top of each half.

See **Example #2**. Write **Top of Fabric** following the diagram.



Note: The Dotted lines are the middle of each **Center Side Block (do not cut)**. The Red Center Vertical Line will eventually be a cut line to divide the two blocks. **DO NOT CUT APART yet.** Leave as a 30" square.

Outer & Inner Borders:

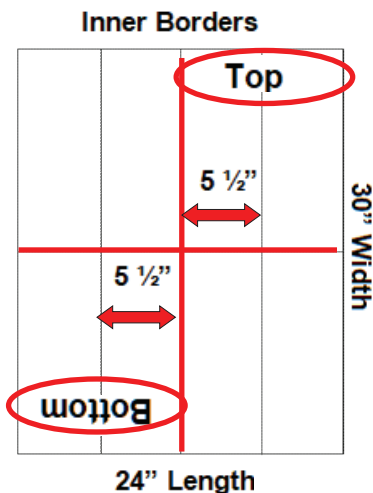
Additionally mark a vertical line **5 1/2"** on either side of center on all border pieces.

Outer **Left & Right** Border Fabric only:

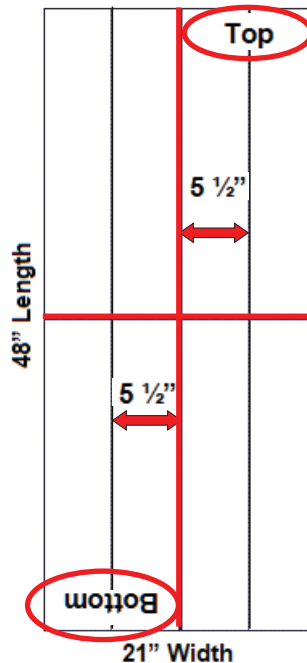
Mark a dash **3/2"** above & below the Crosshair **5 1/2"** from Center. (see dash marks on pic)

Write **Top, Bottom, Right and Left** following the diagrams.

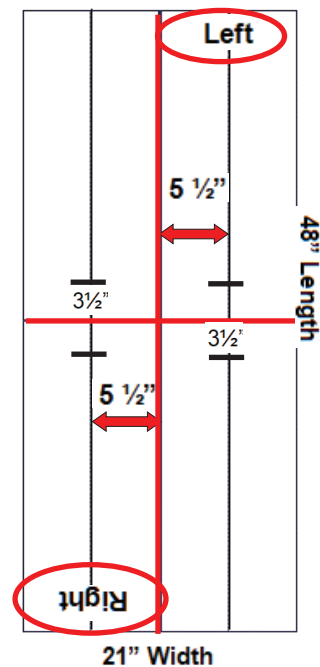
The layout of the borders in this direction will eliminate the bulk of the fabric next to the neck of the machine.



Outer Borders:



Outer Borders:



Copyright © 2023 Claudia Dinnell

All rights reserved. No part of this may be reproduced in any form or by any means without written permission from the copyright holder.

These designs & instructions are for personal non-commercial use by the original purchaser only and are protected under

US & International Laws. www.claudiascreationsaz.com